

HANECO LED LINEAR HIGHBAY INSTALLATION GUIDE

SKYLUX^{LINEAR}

Thanks for choosing our **SKYLUX^{LINEAR}** canopy light products.
We strongly recommend that you read this manual carefully before installation.

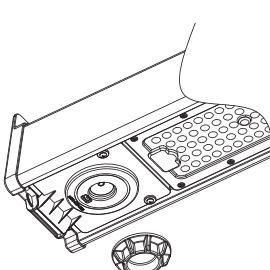
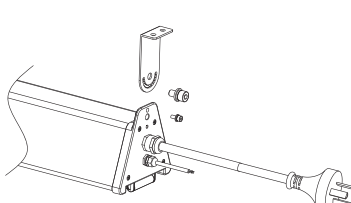
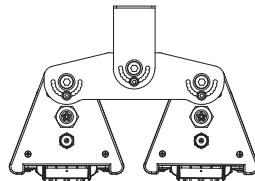
WARNING

- Installation must be carried out by a licenced electrician and in accordance with these instructions and relevant Australian standards and local regulations.
- Do not install any luminaire near any heat source.
- Before the installation make sure you have turned OFF the electricity supply.
- Ensure the product is connected to a 100-240V AC 50/60Hz power supply.
- If the external flexible cable or cord of this luminaire is damaged, it shall be exclusively replaced by the manufacturer or by a service agent or licenced electrician in order to avoid hazard.
- Non-user replaceable light source.
- The warranty is void if product is not installed according to the instructions.
- Installers must ensure that the fitting selected is appropriate for the intended application and environment, consistent with Haneco's published product specifications.
- To maintain optimal performance, fittings should be kept clean to prevent excessive buildup of dust or debris, with periodic cleaning carried out as appropriate to site conditions.
- Products should not be exposed to harsh chemicals or corrosive substances that fall outside the published product specifications, as such conditions may affect performance or warranty coverage.
- Please refer to Haneco's warranty document for full details on the conditions of warranty.

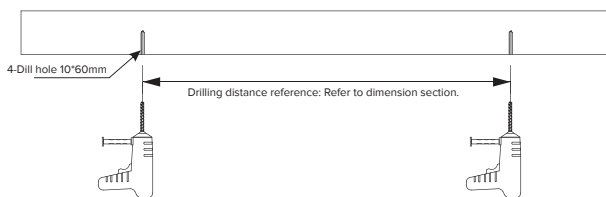
Product Specification:

Product Code	Input	Colour Temperature	Power	Beam Angle	Dimming Method	IP Rating	IK Rating	Operating Temp
SKYLUX200W4K-LIN	100- 240Vac, 50/60Hz	4000K	100/150/200W	40° x 120°	0-10V dimmable	IP65	IK10	-35°C - 50°C
SKYLUX200W4K-LIN-S	100- 240Vac, 50/60Hz	4000K	100/150/200W	30° x 70°	0-10V dimmable	IP65	IK10	-35°C - 50°C
SKYLUX200W5K-LIN	100- 240Vac, 50/60Hz	5000K	100/150/200W	40° x 120°	0-10V dimmable	IP65	IK10	-35°C - 50°C
SKYLUX200W5K-LIN-S	100- 240Vac, 50/60Hz	5000K	100/150/200W	30° x 70°	0-10V dimmable	IP65	IK10	-35°C - 50°C
SKYLUX240W4K-LIN	100- 240Vac, 50/60Hz	4000K	150/200/240W	40° x 120°	0-10V dimmable	IP65	IK10	-35°C - 50°C
SKYLUX240W4K-LIN-S	100- 240Vac, 50/60Hz	4000K	150/200/240W	30° x 70°	0-10V dimmable	IP65	IK10	-35°C - 50°C

BEFORE INSTALLING THE LUMINAIRE

<p>Adjusting Wattage Setting</p>  <p>Remove sensor cover to access power switch, change power to required level and screw cover back in place.</p>	<p>Installation Brackets</p>  <p>Attach supplied mounting brackets if fitting will be surface mounted.</p>	 <p>Mounting bracket is to be installed to SKYLUX-LN-STBKT if two fittings are being attached together.</p>
--	--	--

Installation Instructions – Surface Mount



1. Use an electric drill to create four holes in the ceiling.

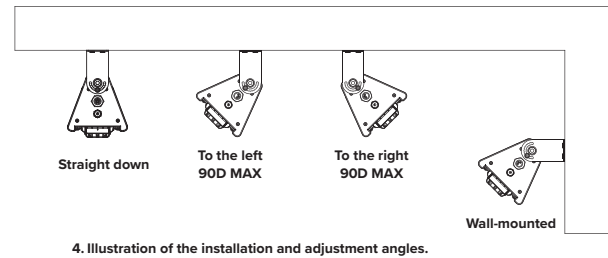
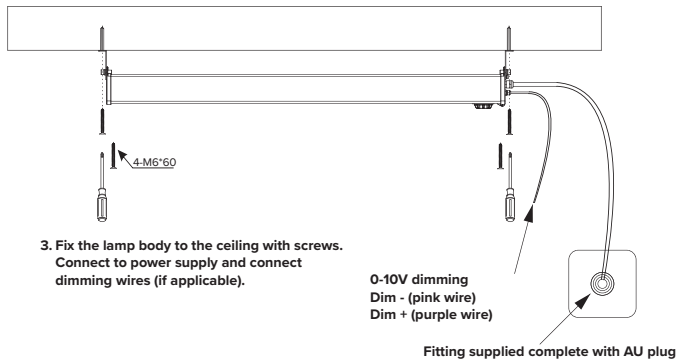


2. Insert anchor plugs (not supplied) into the holes.

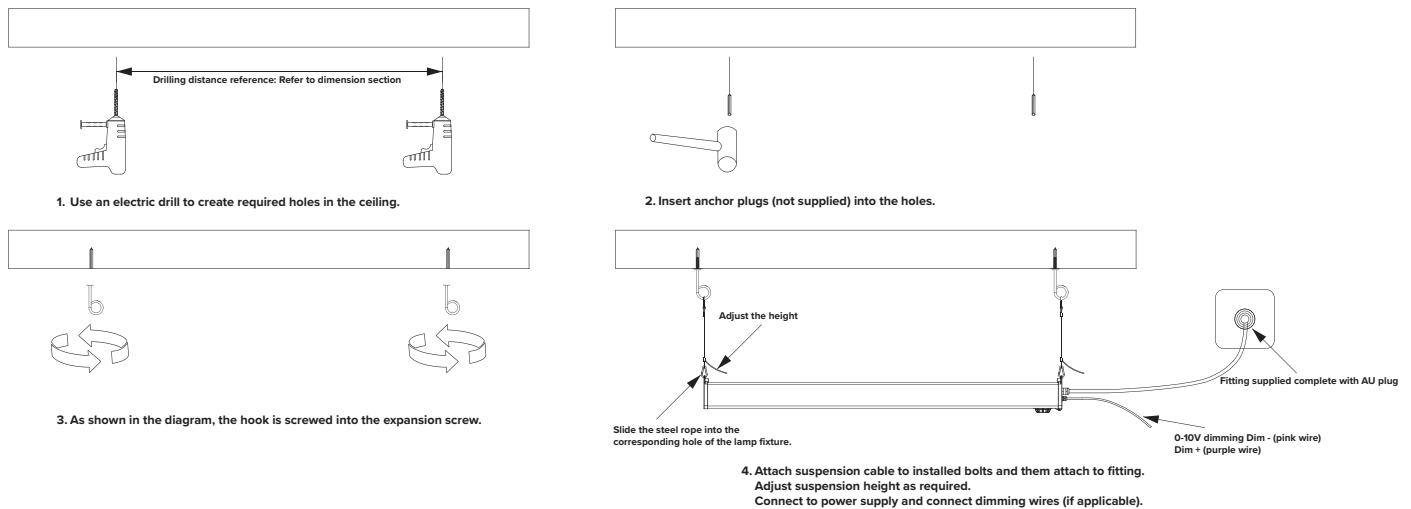
HANECO LED LINEAR HIGHBAY INSTALLATION GUIDE

SKYLUX^{LINEAR}

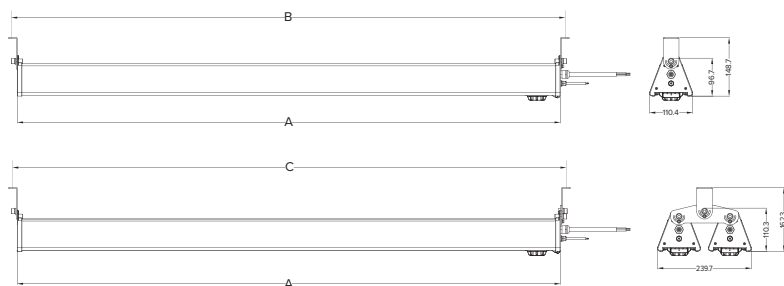
Thanks for choosing our **SKYLUX^{LINEAR}** canopy light products.
We strongly recommend that you read this manual carefully before installation.



Installation Instructions – Suspended



Dimension



	SKYLUX200W	SKYLUX240W
length(A)	1131mm	1384mm
Mounting hole spacing (B)	1156mm	1409mm
Mounting hole spacing (C)*	1162mm	1415mm

* Based on two fittings are being attached together using SKYLUX-LN-STBKT.

Accessory information (Accessories not included)

Haneco provides a comprehensive selection of accessories designed to support a wide range of installation requirements. The accessories listed below are fully compatible with the **SKYLUX^{LINEAR}** series. For detailed installation procedures, please refer to the specific installation guide provided with each accessory.

Product Code	SAP Code	Description
SKYLUX-LN-30x70L	2002762	30° x 70 °BEAN ANGLE LENS
SKYLUX-LN-WSKIT	2002765	SUSPENSION KIT
SKYLUX-LN-STBKT	2002763	STRAIGHT BRACKET FOR CONNECTING 2 SKYLUX LINEAR
HIGHBAY-REMOTE	2002282	REMOTE CONTROL OF SENSOR
HANECO-DC	4400988	DALI TO 0/1-10V SIGNAL CONVERTOR IP65
SKYLUX-G5/EV-MS	2002438	MICROWAVE SENSOR